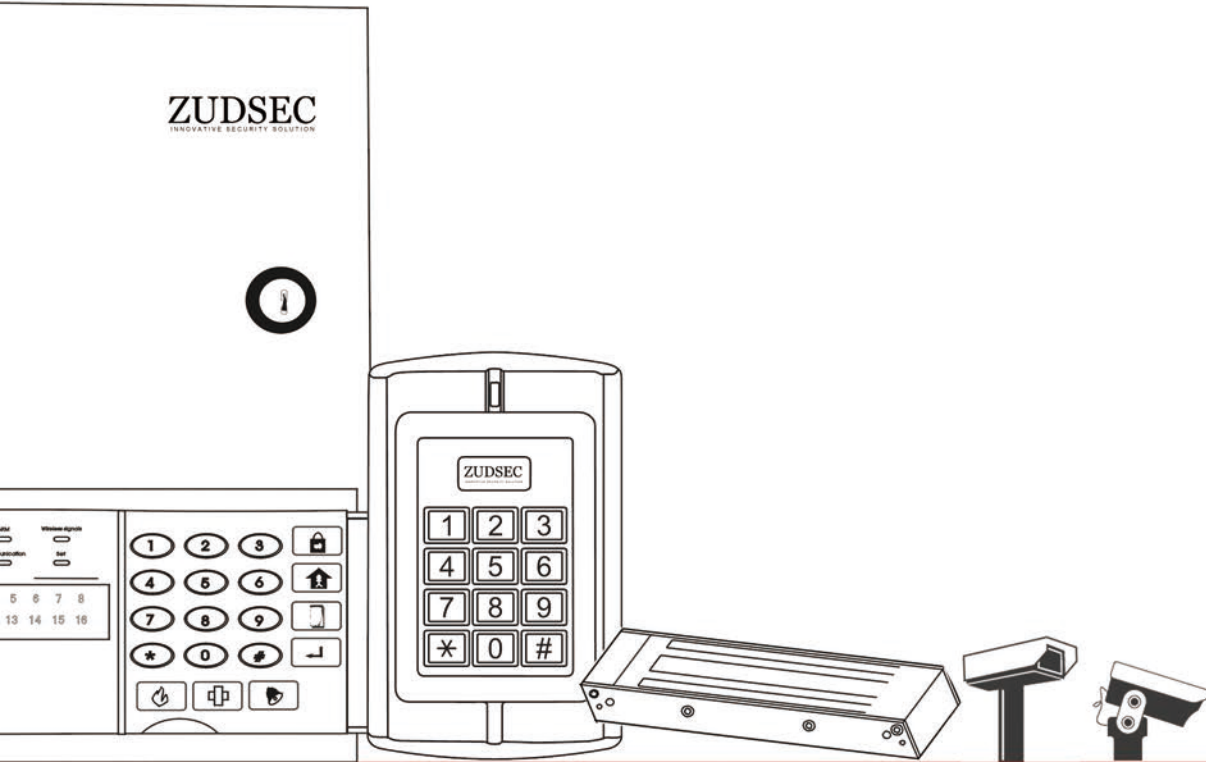


Your Secure Choice

ZUDSEC[®]
INNOVATIVE SECURITY SOLUTION



SECURITY PRODUCTS CATALOG

WWW.ZUDSEC.COM, WWW.ZUDEN.COM



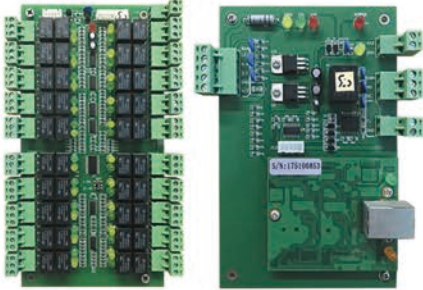
FOCUSING ON SECURITY SYSTEM
21 YEARS 1999-2020

ZUDEN TECHNOLOGY (HK) CO., LIMITED

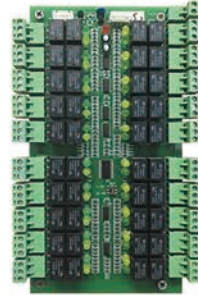
Quality . Technology . Innovation

TCP/IP Access Control Panel

■ Lift (Elevator) /Cabinet Lock Access Controller



ZD3020M
Lift//Cabinet Lock Access Controller
(Main board)



ZD3020E
Extend Function Board
(Work with ZD3020M)

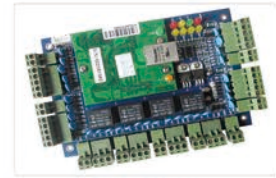
■ Professional Smart Card Access Controller



ZD8001-TCP/IP
Single Door Access Controller

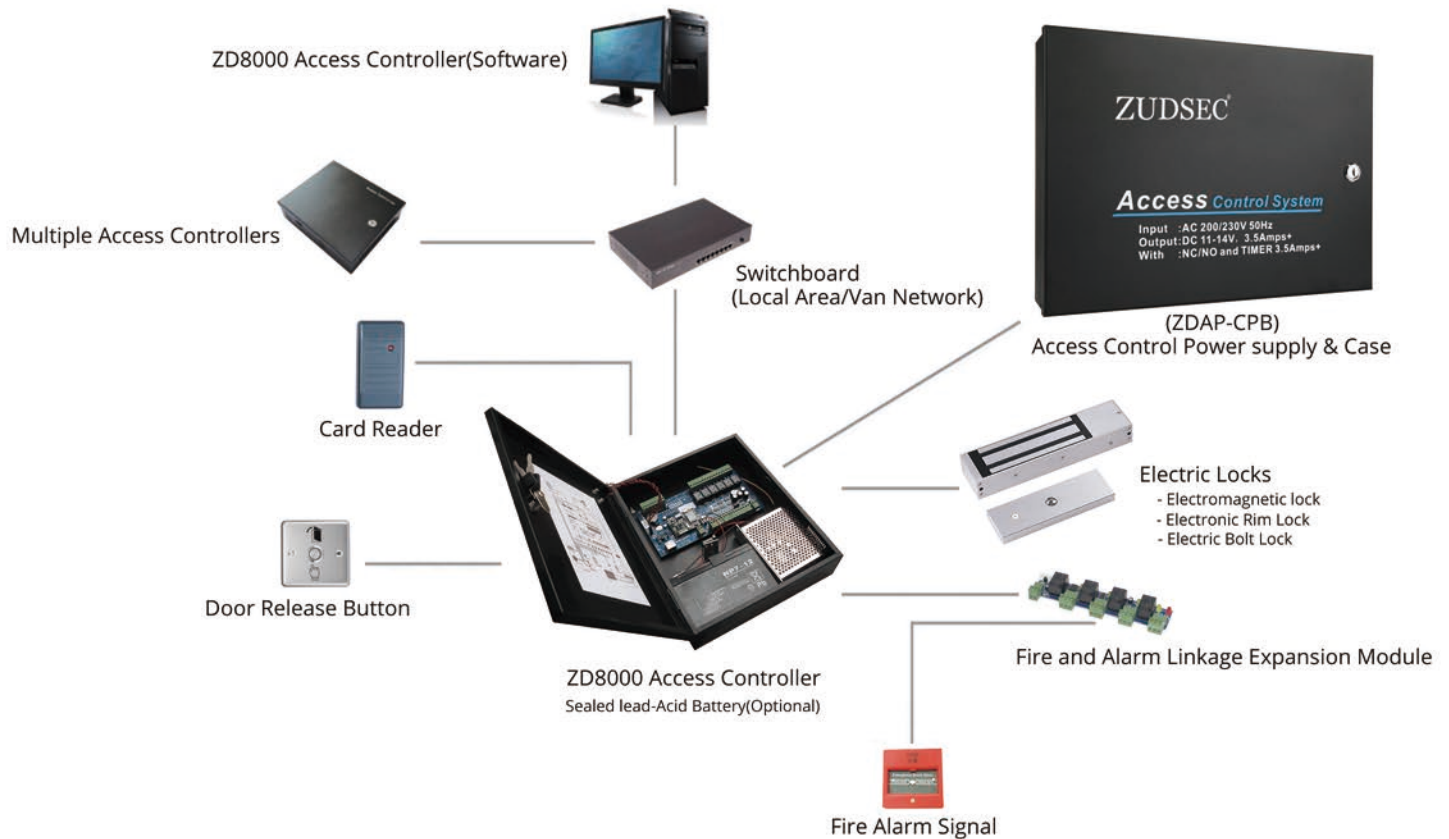


ZD8002-TCP/IP
Double-Door Access Controller



ZD8004-TCP/IP
Multi-Door (4) Access Controller

■ Access Controller Wiring Diagram for TCP/IP Communication



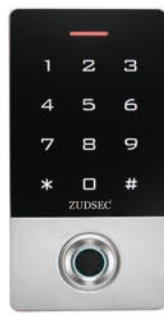
Quality . Technology . Innovation

Face /Fingerprint Access control



ZDAC-T1F
Facial & Fingerprint Access Control

- ★ 1000 Face/600 Fingerprint/100000 card
- ★ Face/Fingerprint/ RFID Card
- ★ Metal shell, anti-vandal design
- ★ Working way: Off-line



ZDAC-T2F
RFID & Fingerprint Controller

- ★ 300 Fingerprint + 10000 card
- ★ Fingerprint/ RFID Card
- ★ Metal shell, Touch Keypad
- ★ Waterproof Design: IP68(Optional)



ZDAC-F3K
RFID & Fingerprint Controller

- ★ 300 Fingerprint + 10000 card
- ★ Fingerprint/ RFID Card
- ★ Metal shell, anti-vandal design
- ★ Waterproof Design: IP68(Optional)



ZDAC-1000EM
RFID & Fingerprint Controller

- ★ 1000 Fingerprint + 2000 card
- ★ Fingerprint/ RFID Card
- ★ Metal shell, anti-vandal design
- ★ Working way: Off-line



ZDAC-F2
PIN & Fingerprint Controller

- ★ 600 Fingerprint /PIN users
- ★ Fingerprint/ PIN keyboard
- ★ With alarm function
- ★ Working way: Off-line

Metal Shell Access control



ZDAC-T1
Touch Panel Access Control

- ★ Identification: Card, Pin, Card + Pin
- ★ Read Card type: EM Card
- ★ Touch panel with backlights keys
- ★ Waterproof, Supports 4000 users



ZDAC-2000
Metal Access Control

- ★ Identification: Card, Pin, Card + Pin
- ★ Read Card type: EM Card
- ★ Backlights keys
- ★ 2000 users, Keystroke backlight



ZDAC-2300 /2500W
Metal Access Control

- ★ Identification: Card, Pin, Card + Pin
- ★ Aluminum alloy structure, waterproof
- ★ Backlights keys with built in doorbell
- ★ 2000 users & cards



ZDAC-2400W
Waterproof Metal Access Control

- ★ PIN and proximity card reader
- ★ Waterproof, Aluminum alloy structure
- ★ Backlights keys,Built in doorbell
- ★ 2000 users & cards

Plastic Shell Access control



ZDAC-200B
Big Capacity Access Control

- ★ Big Capacity: 10,000 Cards
- ★ Read Card type: EM Card/IC Mifare
- ★ Can connect a external card reader
- ★ Rainproof, moistureproof, durable



ZDAC-2501
Standalone Access Control

- ★ Identification: Card, Pin, Card + Pin
- ★ Read Card type: EM Card
- ★ Backlights keys, 500 users
- ★ Can connect a external card reader



ZDAC-300
Standalone Access Control

- ★ Identification: Card, Pin, Card + Pin
- ★ Read Card type: EM Card
- ★ Supports 1200 users
- ★ With doorbell key



ZDAC-100T
Touch Panel Access Control

- ★ Touch Keypad RFID card reader
- ★ Read Card type: EM Card
- ★ With Doorbell Key
- ★ 1000 users & Cards



ZDAC-236C
Standalone Access Control

- ★ Identification: Card, Pin, Card + Pin
- ★ Read Card type: EM Card
- ★ Supports 500 users
- ★ With doorbell key



ZDAC-100
Standalone Access Control

- ★ Identification: Card, Pin, Card + Pin
- ★ Read Card type: EM Card
- ★ Supports 1000 users
- ★ With doorbell key

Quality . Technology . Innovation

RFID Card Reader



Door Release Button



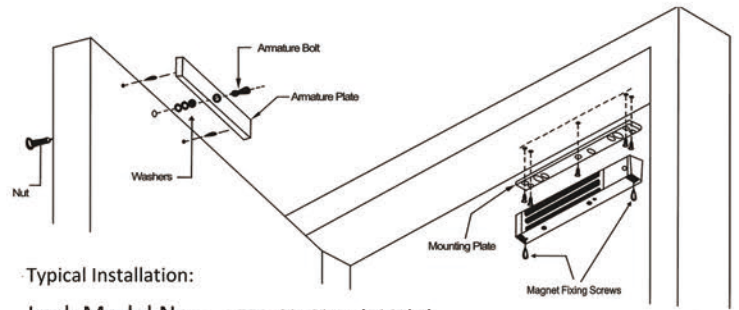
Other Access Accessories



Quality . Technology . Innovation

Magnetic Locks

- 2 wires, 12/24VDC, Single Door, Surface mounted



Typical Installation:

- Lock Model No.:
- ZDL-60: 60Kgs(120Lbs)
 - ZDL-180: 180Kgs(300Lbs)
 - ZDL-280: 280Kgs(600Lbs)
 - ZDL-350: 350Kgs(800Lbs)
 - ZDL-500: 500Kgs(1200Lbs)

> With Signal feedback:NO /NC /COM, 5 wires, Surface mounted

"S" Series Lock Model:

- ZDL-180S: 180Kgs(300Lbs)
- ZDL-280S: 280Kgs(600Lbs)
- ZDL-350S: 350Kgs(800Lbs)
- ZDL-500S: 500Kgs(1200Lbs)

> With Time Delay: 0-20 seconds adjustable, 4 Wires, Surface mounted

"T" Series Lock Model:

- ZDL-280T: 280Kgs(600Lbs)
- ZDL-350T: 350Kgs(800Lbs)
- ZDL-500T: 500Kgs(1200Lbs)

> With Signal Feedback(NO /NC /COM) + Timer(0-20 seconds adjustable)

"ST" Series Lock Model:

- ZDL-280ST: 280Kgs(600Lbs)
- ZDL-350ST: 350Kgs(800Lbs)
- ZDL-500ST: 500Kgs(1200Lbs)

> Double Door, Surface Mounted With Signal + Timer Optional

"D" Series Lock Model:

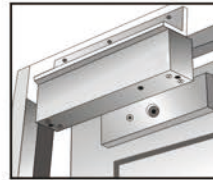
- ZDL-180D: 180Kg(300Lbs) x 2
- ZDL-280D: 280Kg(600Lbs) x 2
- ZDL-350D: 350Ks(800Lbs) x 2
- ZDL-500D: 500Ks(1200Lbs) x 2



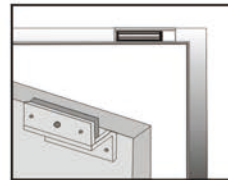
Magnetic Lock Installation:



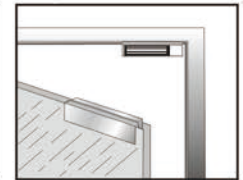
Standard
No Bracket



L Bracket
Narrow Door Frame(Swing out)



ZL Bracket
Swing In Installation



U Bracket
Pull Glass Door Leaf(Swing out)



ZDL-1200 Shear Magnetic lock

- ★ Holding Force: 1200kgs(2600Lbs)
- ★ Fail-safe type (Power to lock)
- ★ Auto sensing 12/24VDC input
- ★ Door status output



ZDL-180/280/350C Concealed Magnetic Lock

- ★ Holding Force: 180kgs/280kgs/350kgs/500kgs
- ★ Fail-safe type (Power to lock)
- ★ Reliable locking mechanism
- ★ Concealed Mount



ZDL-60 Mini Electromagnetic lock

- ★ Holding Force: 60kgs/120Lbs
- ★ Fail-safe type (Power to lock)
- ★ Reliable locking mechanism
- ★ Mini Design

Door Holder

ZDDH-001
Basic Wall Mount Door Holder

- ★ Holding Force: 60kgs/120Lbs
- ★ Fail-safe type (Power to lock)
- ★ Voltage: 12/24VDC+10%

ZDDH-002
Extended Wall Mount Door Holder

- ★ Holding Force: 60kgs/120Lbs
- ★ Fail-safe type (Power to lock)
- ★ Voltage: 12/24VDC+10%

ZDDH-006
Floor Mount Smokeproof Door Holder

- ★ Holding Force: 60kgs/120Lbs
- ★ Fail-safe type (Power to lock)
- ★ Voltage: 12/24VDC+10%

ZDDH-003
Plastic Surface Smokeproof Door Holder

- ★ Holding Force: 60kgs/120Lbs
- ★ Fail-safe type (Power to lock)
- ★ Voltage: 12/24VDC+10%

ZDDH-003B
Wall Mount Glass Fire Door Holder

- ★ Holding Force: 60kgs/120Lbs
- ★ Fail-safe type (Power to lock)
- ★ Voltage: 12/24VDC+10%

ZDDH-005
Floor and Wall Mount Door Holder

- ★ Holding Force: 60kgs/120Lbs
- ★ Fail-safe type (Power to lock)
- ★ Voltage: 12/24VDC+10%

ZDDH-008C
Floor Mounting Glass Fire Door Holder

- ★ Holding Force: 60kgs/120Lbs
- ★ Fail-safe type (Power to lock)
- ★ Voltage: 12/24VDC+10%

ZDDH-008B
Floor Mount Door Holder with Signal

- ★ With Signal, Holding Force: 60kgs/120Lbs
- ★ Fail-safe type (Power to lock)
- ★ Voltage: 12/24VDC+10%

ZDDH-008A
Floor Mount Door Holder

- ★ Holding Force: 60kgs/120Lbs
- ★ Fail-safe type (Power to lock)
- ★ Voltage: 12/24VDC+10%

Quality . Technology . Innovation

Electric Rim Lock Series



ZDL-107N

- * Common Steel Double Cylinder
- * Electric Rim Lock with Rotating
- * Surface Finish: Nickel Plating

ZDL-107S:

- * Stainless Steel Brushed, Double Cylinder

ZDL-107G

- * Stainless Steel Double Cylinder
- * Electric Rim Lock with Rotating
- * Surface Finish: Gray powder

ZDL-107N-B:

- * Surface Treatment: Black Spray-Painted



ZDL-100M

Mini Electric Cabinet Lock

- ★ Power-on to unlock
- ★ Input Voltage: DC 12V
- ★ Material: Stainless steel
- ★ Lock Size: 55*41*28mm



ZDL-230Z

Electric Bolt Lock-5-Wire

- ★ Safety mode: Power-on to lock
- ★ Input Voltage: DC 12V
- ★ Zinc Alloy, Surface mounted
- ★ With Signal & Timer
- ★ Dimension: L150xW34xH28(mm)

Electric Bolt Lock



Electric Bolt Lock

- ZDL-200L: 2 Wire /with Low Temperature
- ZDL-200T: 2 Wire /Low Temperature with Time Delay
- ZDL-200SD: 5 Wire /Low Temperature With Signal & Timer

Sturdiness Bolt Lock

- ZDL-210NC: Power to lock
- ZDL-210NO: Power to unlock

Sturdiness Bolt Lock-Narrow panel

- ZDL-211NC: Power to lock
- ZDL-211NO: Power to unlock

Electric Bolt for Frameless Glass Door

- ZDL-5818: Power to lock
- ZDL-5818S: Power to unlock

Bolt Lock Bracket:

ZDL-B80A:

- Aluminum alloy material
- Bracket for Frameless Glass Door



ZDL-B80S:

- Stainless Steel material
- Bracket for Frameless Glass Door



ZDL-B200:

- Stainless Steel material
- Bracket for Fully Frameless Glass Door



Electric Strike Series



ZDL-130NO/NC

Standard-type Electric Strike

- ★ Type: Lock or unlock power electricity
- ★ Material: Stainless steel plate and zinc alloy housing
- ★ Power supply: 12V, 400mA
- ★ Lock Size: L149xW39xH34mm; ; Strike: 30mm



ZDL-130NO/NC-S

Standard-type Electric Strike -With Signal

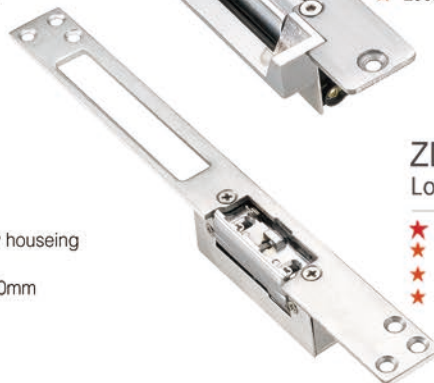
- ★ Type: Lock or unlock power electricity
- ★ With Signal Feedback(NO /NC /COM)
- ★ Power supply: 12V, 400mA
- ★ Lock Size: L149xW39xH34mm; ; Strike: 30mm/45mm



ZDL-120NO/NC

Narrow-type Electric Strike

- ★ Type: Lock or unlock power electricity
- ★ Material: Stainless steel plate and zinc alloy housing
- ★ Power supply: 12V, 400mA
- ★ Lock Size: L110xW25xH31mm; ; Strike: 30mm



ZDL-120NO/NC-L

Long-type Electric Strike

- ★ Type: Lock or unlock power electricity
- ★ Material: Stainless steel plate and zinc alloy housing
- ★ Power supply: 12V, 400mA
- ★ Lock Size: L250xW25xH31mm; ; Strike: 30mm

Quality . Technology . Innovation

■ Door Closer System

- ★ Flexible shaft
- ★ Adjustable telescopic arm
- ★ Both ends of speed
- ★ Sold rivets
- ★ Special Hydraulic oil
- ★ Mechanical life: 500000 tested

MODEL: ZDDC-101

Small Square Door Closer

MODEL: ZDDC-102

Medium Square Door Closer

MODEL: ZDDC-103

Big Square Door Closer



MODEL: ZDDC-201

Door Closer



Concealed Door Closer



■ ZDDC-801

Concealed Square Door Closer



Suitable for Door weight(35~65Kg)
With stop function (90° and 180° orientation) without position
Apply to the largest leaf size(1000X2100mm) One-Way opening door

■ ZDDC-801R

Concealed Round Door Closer



Suitable for Door weight(35~65Kg)
With stop function (90° and 180° orientation) without position
Apply to the largest leaf size(1000X2100mm) for one-way opening door.



■ Escape Lock



Model | **ZDL-650F**

ZUDSEC HARDWARE

ZUDSEC[®]
INNOVATIVE SECURITY SOLUTION

Security Products

Tel: +86-755-28980181; Fax: 86-755-28918195

Http:// www.zudsec.com, www.zuden.com

Email: info@zuden.com

Your Secure Choice

Protect & Secure

with **ZUDSEC**



ZUDSEC[®]
Innovative Security Solution

© ZUDSEC. July 2020.

Pictures used are for illustration purposes only.
Every efforts has been made to ensure information in this documents is correct

www.zudsec.com
www.zuden.com