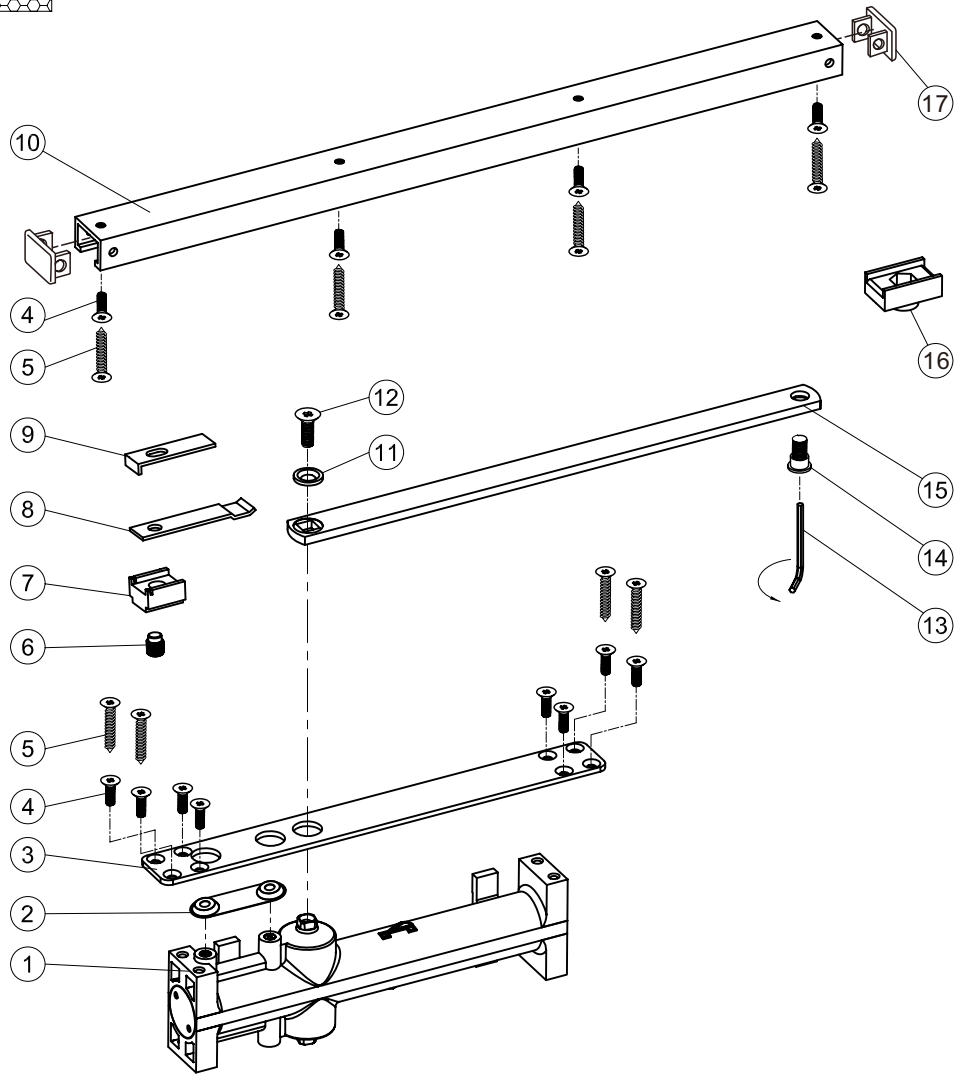
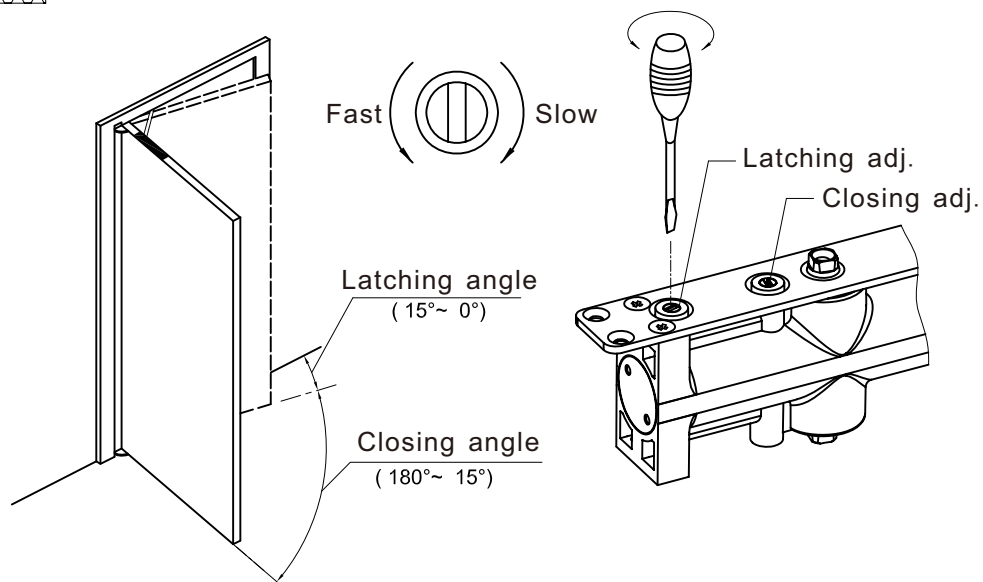


Parts & assemble

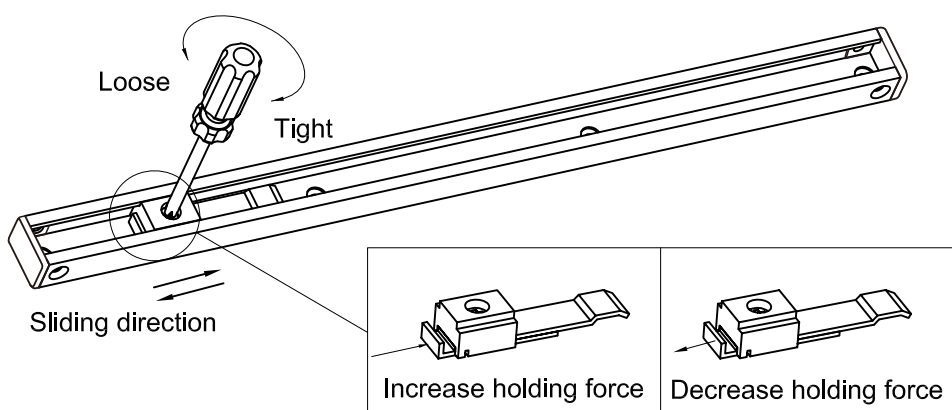


NO.	Parts	QTY	NO.	Parts	QTY
①	Body	1	⑨	Adjust Piece	1
②	Valve Retainer	1	⑩	Rail	1
③	Fixing plate	1	⑪	Washer	1
④	Screw M5x14.7	12	⑫	Screw M6X15	1
⑤	Screw ST4.8x25	8	⑬	Wrench	1
⑥	Setting Screw M10	1	⑭	Fixing Screw M8	1
⑦	Stop block	1	⑮	Main arm	1
⑧	Stop Piece	1	⑯	Slider	1
			⑰	Cover	2

SPEED Adjustment



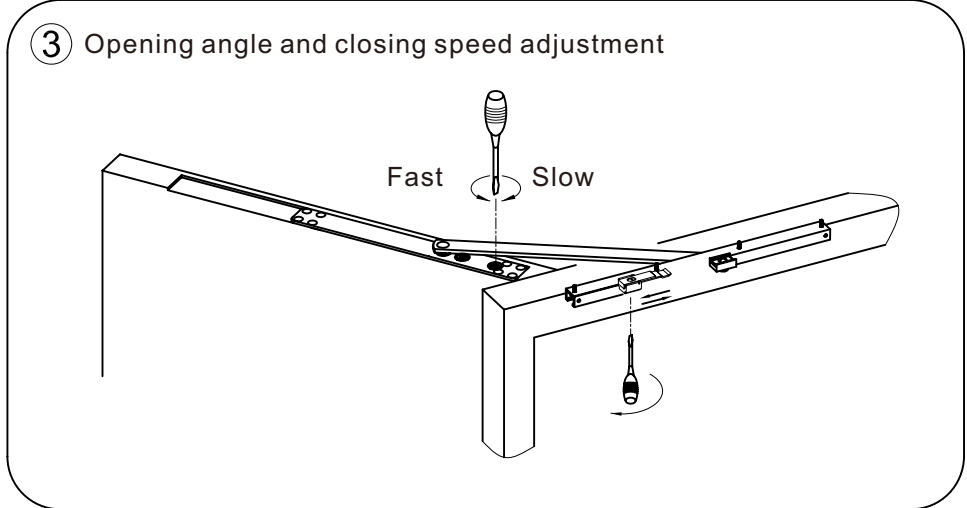
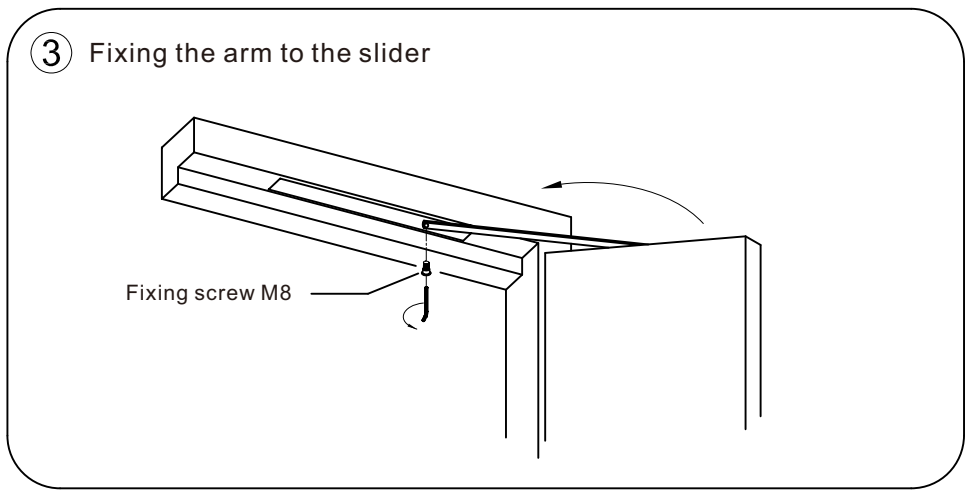
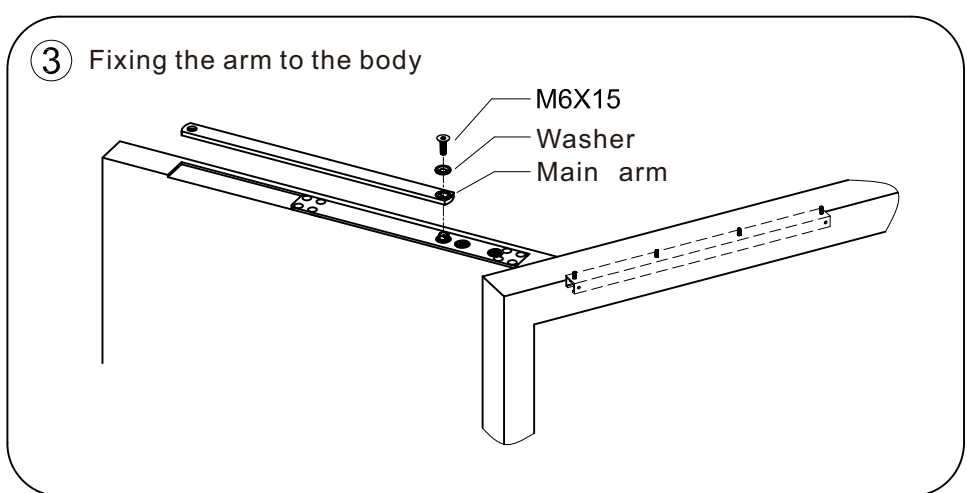
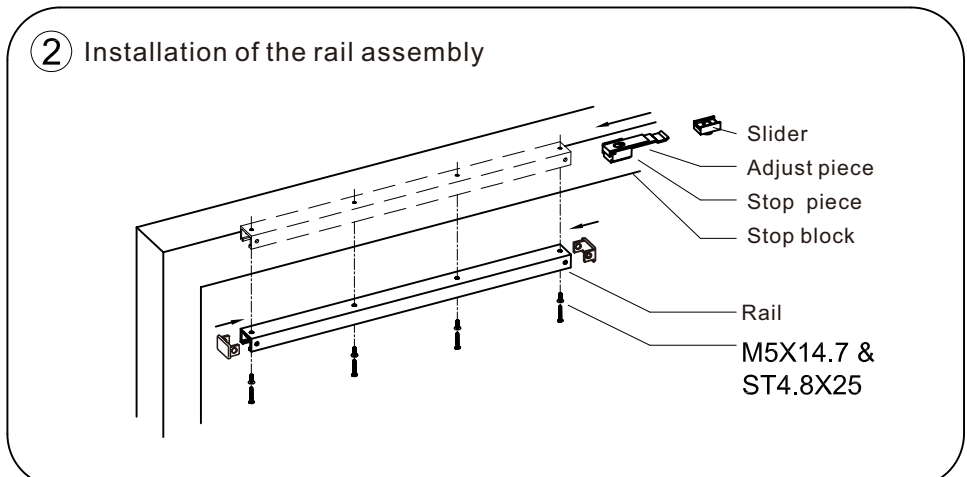
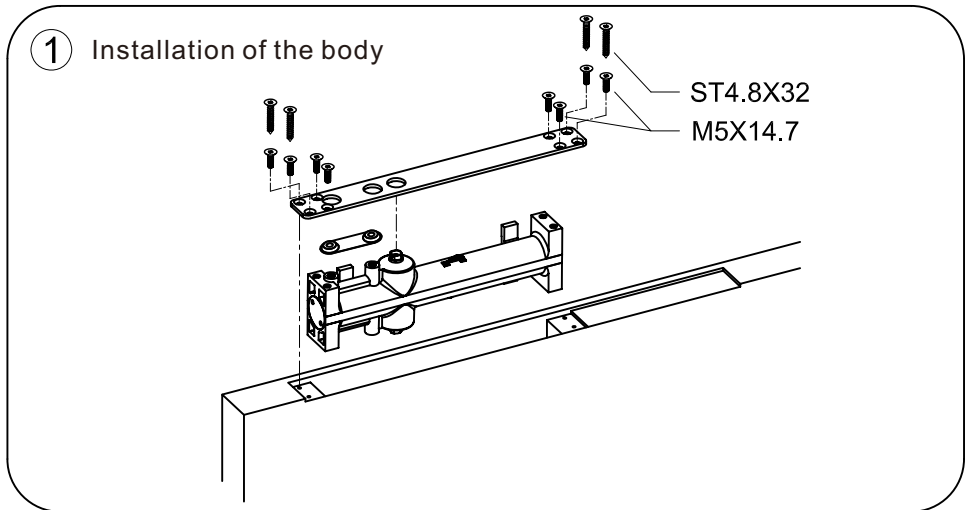
Opening angle adj. (Just Hold Open available)



Suitable for R/L use

INSTALLATION

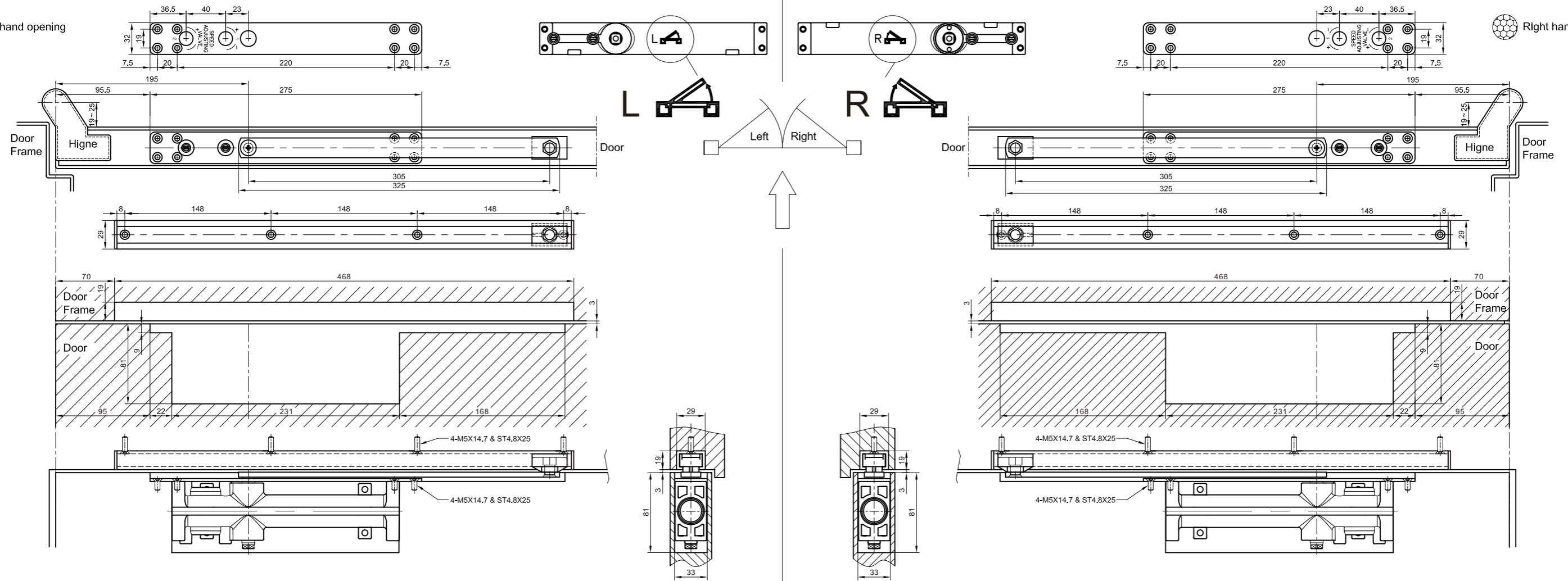
EN	DOOR WIDTH (mm)	DOOR WEIGHT (mm)	DOOR THICKNESS (mm)
2	≤850	≤40~60	wooden door ≥40
3	≤950	≤60~80	metal door ≥35



Caution:
Please install the door closer as per the installation template and ensure all the screws are secured properly.

Left hand opening

Right hand opening



Left hand opening (Top jamb installation)

Right hand opening (Top jamb installation)

